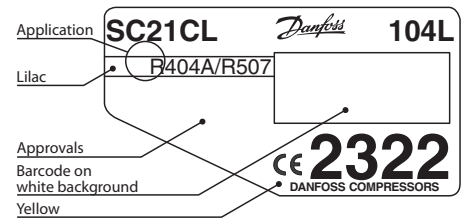


SC21CL LBP Compressor R404A/R507 220 - 240 V 50 Hz



General

Code number	104L2322
Approvals	EN60335-2-34
Compressors on a pallet	80

Application

Application	LBP	
Frequency	50 Hz	60 Hz
Evaporating temperature	$-45 \leq t \leq -10$ °C	-
Voltage range	198 - 254 V	-
Max. condensing temperature continuous (short)	50 (60) °C	-
Max. winding temperature continuous (short)	125(135) °C	-

Cooling requirements

Frequency	50 Hz			60 Hz		
Application	LBP	MBP	HBP	LBP	MBP	HBP
32 °C	F2	-	-	-	-	-
38 °C	F2	-	-	-	-	-
43 °C	-	-	-	-	-	-
Remarks on application:						

- S = Static cooling normally sufficient
- O = Oil cooling
- F1 = Fan cooling 1.5 m/s (compressor compartment temperature equal to ambient temperature)
- F2 = Fan cooling 3.0 m/s necessary
- SG = Suction gas cooling normally sufficient
- = not applicable in this area

Motor

Motor type	CSR	
LRA (rated after 4 sec. UL984), HST LST	23.4 A	-
Cut-in current, HST LST	23.4 A	-
Resistance, main start winding (25 °C)	3.4 Ω	14.4 Ω

Design

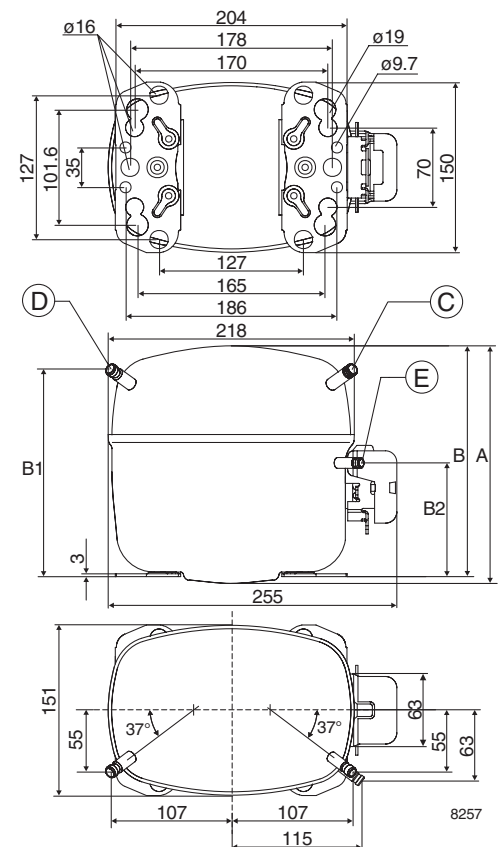
Displacement	20.95 cm ³
Oil quantity	600 cm ³
Oil type	POE
Maximum refrigerant charge	1.3 kg
Free gas volume in compressor	1410 cm ³
Weight without electrical equipment	14.1 kg

Dimensions

Height	A	B	B1	B2
	219 mm	213 mm	193 mm	110 mm

Connectors

		I.D.	Angle	Material	Sealing
Suction	C	10.2 mm	37°	Cu-plated steel	Al-cap
Process	D	6.2 mm	37°	Cu-plated steel	Al-cap
Discharge	E	6.2 mm	37°	Cu-plated steel	Al-cap
Oil cooling	F	-	-	-	-
Connector tolerance	+/- 0.09 mm				
Remarks: -					



EN 12900 Household* R404A 220 V 50 Hz RC 10 μ F

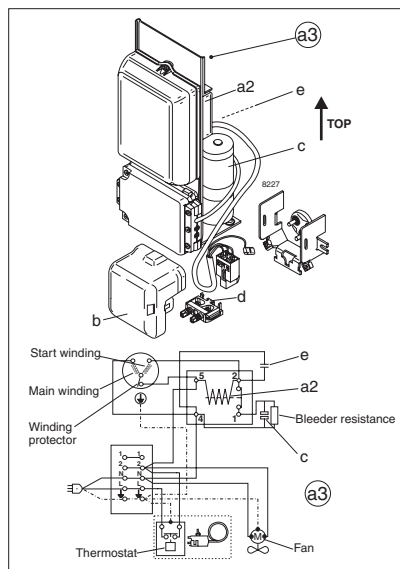
$t_c=45\text{ }^\circ\text{C}$, $t_s=32\text{ }^\circ\text{C}$, $\Delta T_{sh}=-$, $t_f=-$, $\Delta T_{sc}=0\text{ K}$, $t_g=32\text{ }^\circ\text{C}$, F2

Evap. temp. in $^\circ\text{C}$	-45	-40	-35	-30	-25	-23.3	-20	-15	-10	-6.7	-5	0	5	7.2	10	15	20
Capacity in W	226	325	455	617	813	887	1042	1306	1606								
Power cons. in W	400	462	534	615	702	733	795	891	989								
Current cons. in A	2.40	2.63	2.94	3.31	3.71	3.86	4.14	4.58	5.00								
COP in W/W	0.57	0.70	0.85	1.00	1.16	1.21	1.31	1.47	1.62								

ASHRAE LBP* R404A 220 V 50 Hz RC 10 μ F

$t_c=45\text{ }^\circ\text{C}$, $t_s=32\text{ }^\circ\text{C}$, $\Delta T_{sh}=-$, $t_f=32\text{ }^\circ\text{C}$, $\Delta T_{sc}=-$, $t_g=32\text{ }^\circ\text{C}$, F2

Evap. temp. in $^\circ\text{C}$	-45	-40	-35	-30	-25	-23.3	-20	-15	-10	-6.7	-5	0	5	7.2	10	15	20
Capacity in W	261	375	525	713	939	1025	1205	1512	1861								
Power cons. in W	400	462	534	615	702	733	795	891	989								
Current cons. in A	2.40	2.63	2.94	3.31	3.71	3.86	4.14	4.58	5.00								
COP in W/W	0.65	0.81	0.98	1.16	1.34	1.40	1.52	1.70	1.88								



Accessories	104L2322	Fig.	Code number
Cover		b	103N2009
Cord Relief		d	103N1004
Starting device 470 mm cable length			117-7012
Starting device 550 mm cable length			117-7027
Starting device 1000 mm cable length			117-7040
Starting device 650 mm cable length			117-7046
Remarks: -			

Mounting accessories	Code number
Bolt joint for one compressor (16 mm)	118-1917
Bolt joint in quantities (16 mm)	118-1918
Snap-on in quantities (16 mm)	118-1919

Danfoss can accept no responsibility for possible errors in catalogues, brochures and other printed material. Danfoss reserves the right to alter its products without notice. This also applies to products already on order provided that such alterations can be made without consequential changes being necessary in specifications already agreed.

All trademarks in this material are property of the respective companies. Danfoss and the Danfoss logotype are trademarks of Danfoss A/S. All rights reserved.